

375 Series



375 Series 3 Pole 30 Amp Power Relay

Power relay that controls electrical loads



Features

- 30 Amp switching on all contacts (25 amps in Europe)
- Coil Molded in Rynite® PET, providing Class F temperature insulation
- Dual flag terminal option allows easy serial connection of multiple devices
- Low cost alternative to small contactors
- PPS engineering thermoplastic panel provides superior mechanical and electrical characteristics

Typical Applications

- Electric Heat • Motor Control • Power Supplies

Models

- 375F:** Flange Cover **375TM:** Top Mount Cover
- 375P:** Printed Circuit Terminals

Contact Data	
Configuration	3PST-NO, 3PST-NC & 3PDT
Materials	All contacts 1/4" diameter silver cadmium oxide
Contact Ratings	
Model	Pole Configuration
375	3PST-NO 3PST-NC 3PDT
UL Ratings	
30 Amp at 300 VAC 80% PF 15 Amp at 600 VAC 80% PF 30 Amp at 28 VDC 1 HP at 120 VAC 2 HP at 240/277 VAC; 100,000 cycles 3 HP at 480 VAC; 100,000 cycles 3 HP at 600 VAC; 100,000 cycles 5 HP at 230 VAC 3-phase; 6,000 cycles endurance 7.5 HP at 460 VAC 3-phase; 6,000 cycles endurance 20 Amp at 480 VAC ballast; 6,000 cycles 20 Amp at 277 VAC ballast; 6,000 cycles 30 Amp at 277 VAC resistive; 100,000 cycles 18 Amp at 480 VAC resistive; 250,000 cycles 15 Amp at 600 VAC resistive; 250,000 cycles 100 LRA, 30 FLA at 240/277 VAC; 100,000 cycles 50 LRA, 20 FLA at 600 VAC; 100,000 cycles	
European Ratings	
375	3PST-NO 3PST-NC 3PDT 25 A at 300 VAC ~ AC1 25 A at 28 VDC -- DC1 Per EN60947-4-1
Expected Life	Electrical at Rated Load (Min.) 100,000 Operations Mechanical Life 10,000,000 Operations
Dielectric Strength	2200 VRMS, 60 Hz Between Contacts 3750 VRMS, 60 Hz Between Other Elements
Agency Approvals	UL Recognized File No. E37066 CE Marked AC1/DC1

All dimensions in Inches

Rynite® is a registered trademark of DuPont

Specifications subject to change without notice

375 Series

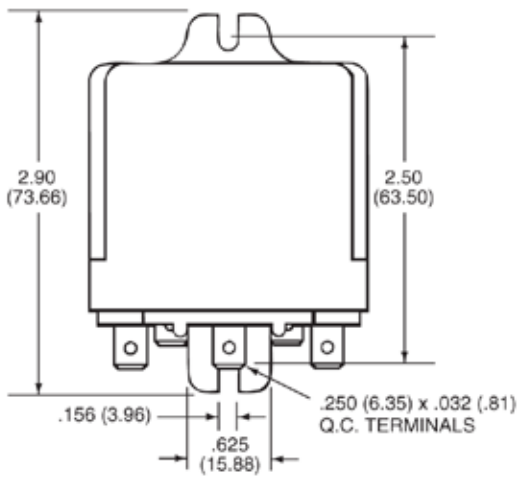


Coil Data			
	Nominal Voltage	Resistance In Ohms \pm 10%	Nominal Coil Power
AC Coils	6 VAC	2.4	4.6 VA
	12 VAC	9.5	
	24 VAC	38	
	48 VAC	150	
	120 VAC	970	
	208 VAC	3,075	
	240 VAC	3,800	
DC Coils	277 VAC	5,325	2.6 W
	6 VDC	14	
	12 VDC	56	
	24 VDC	230	
	48 VDC	900	
	110 VDC	4,900	
Coil Voltages	AC: Up to 277 Volts/60 Hz DC: Up to 125 Volts		
Coil Treatment	Molded Rynite® PET Std. Class F		
Insulation Resistance	100 Megohms Minimum		
UL Insulation System File No.	E74443 S155D 155°C Total Temperature Std. (Covers S105 Class A and S130D Class B Requirements)		
Operate Data			
Pick Up (at 25°C)	AC Volts 85% or Less of Nominal DC Volts 75% or Less of Nominal		
Operate Time	Approx. 15 Milliseconds		
Release Time	Approx. 15 Milliseconds		
Environmental Data			
Operating Ambient	50° C max. at full continuous operation. Consult factory for information on higher operating ambi-ents		
Mechanical Data			
Terminals	.250" x .032" Quick Connect/Solder Dual Terminal Versions .250" x .032" Quick Connect		
Panel	PPS (polyphenylene sulfide) thermoplastic - Flammability Rating 94VO		
Cover	Clear Polycarbonate - Flammability Rating 94V2		
Weight	All Versions Approx. 3.5 oz. (99 g.)		

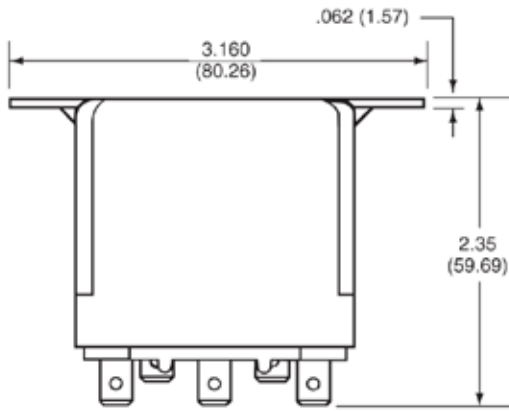
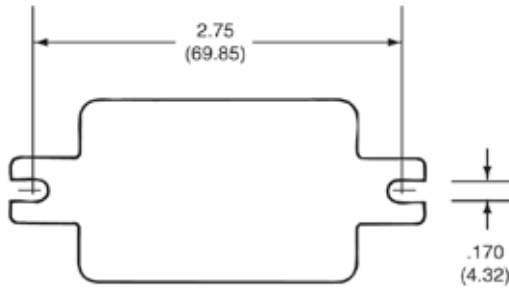
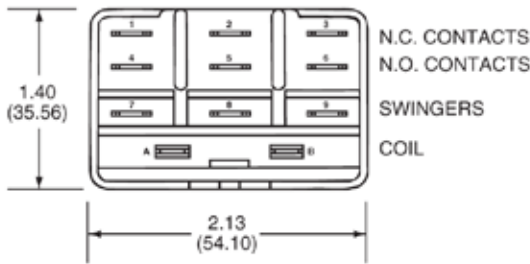
375 Series

Dimensional View

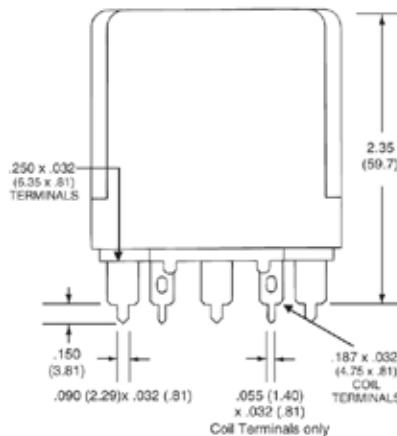
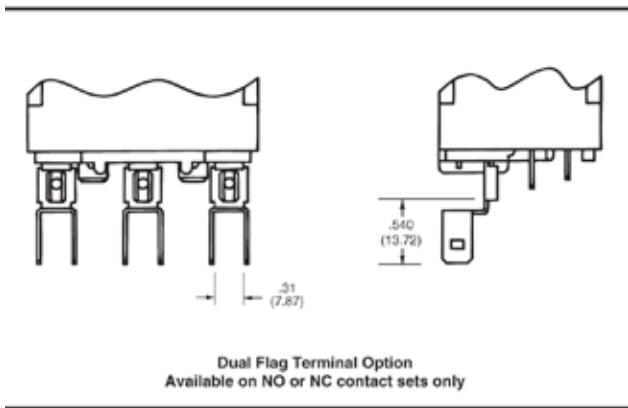
Units: Inches [mm]



375F

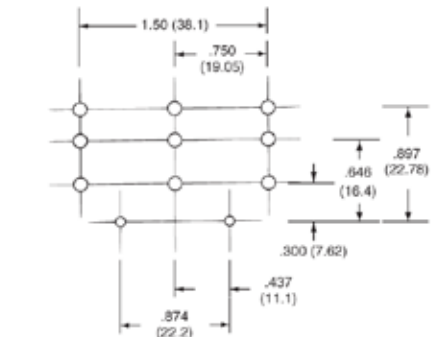
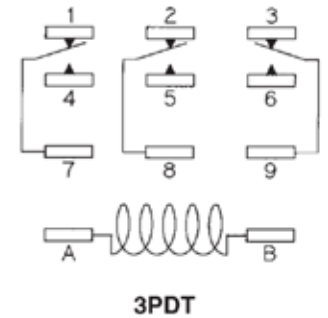
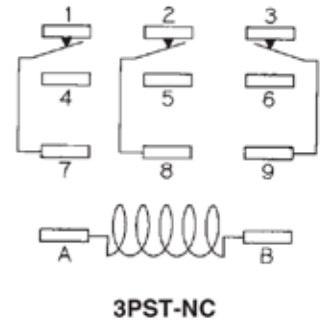
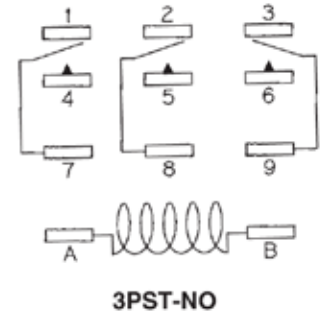


375TM



375P

Schematics



PC BOARD LAYOUT - ALL PINS SHOWN. SELECT THOSE REQUIRED BASED ON SCHEMATIC FOR POLE CONFIGURATION UTILIZED. RECOMMENDED HOLE SIZES - .078 (1.98) FOR COIL (A&B) .109 (2.77) FOR OTHERS (1-9)

375 Series



Ordering Information

30 Amp Part Numbers

		AC Coils			DC Coils		
Model	Pole Config.	24 VAC	120 VAC	240 VAC	12 VDC	24 VDC	110 VDC
375TM	3PST-NO	21009-82*	21009-84*	21009-85*	21012-81	21012-82*	21012-84
	3PST-NC	21010-82	21010-84	21010-85	21013-81	21013-82	21013-84
	3PDT	21011-82*	21011-84*	21011-85*	21014-81*	21014-82*	21014-84
375F	3PST-NO	21017-82	21017-84	21017-85	21020-81	21020-82	21020-84
	3PST-NC	21018-82	21018-84	21018-85	21021-81	21021-82	21021-84
	3PDT	21019-82*	21019-84*	21019-85	21022-81	21022-82	21022-84
375P	3PST-NO	21038-82	21038-84	21038-85	21041-81	21041-82	21041-84
	3PST-NC	21039-82	21039-84	21039-85	21042-81	21042-82	21042-84
	3PDT	21040-82	21040-84	21040-85	21043-81	21043-82	21043-84

(*) Normally Stocked

Non stocked items require a minimum order